



INSTANTANEOUS AND FUNCTION RELAYS

Impulse relays 2 contacts / 2820



TEC

2820

- ▶ rear wiring socket with clips 9246
- ▶ rear wiring socket / PCB mounting 9244
- ▶ front wiring socket with clips 9946-20
- ▶ front wiring socket / screw terminals 9946-10

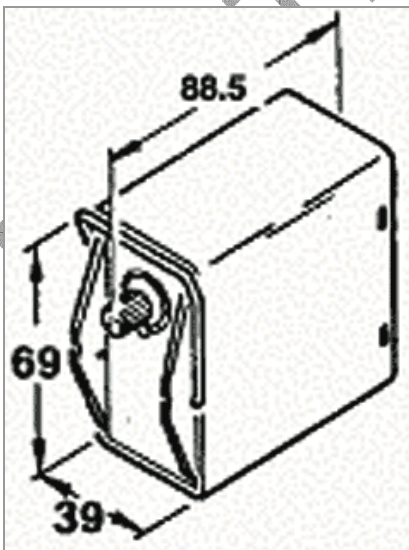


DESCRIPTION

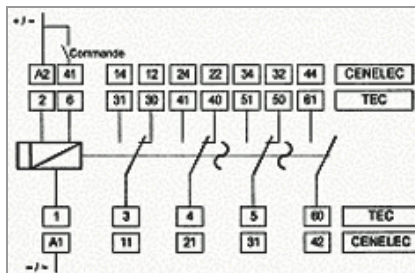
Universal timer relay - 2 contacts.

Pluggable on the following sockets : 9946, 9244, 9246.

Dimensions



Connection



OPERATION PRINCIPLE

Timing ranges :

* sec : 0.01-0.1 / 0.1-1 / 1-10 / 10-100

* min : 0.01-0.1 / 0.1-1 / 1-10 / 10-100

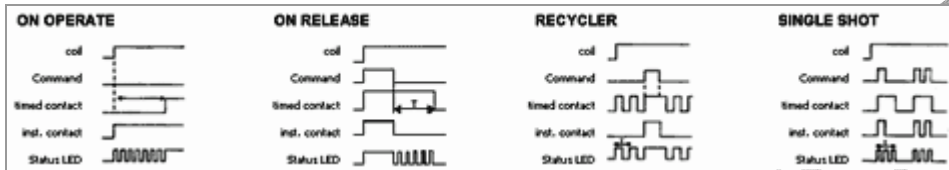
* h : 0.01-0.1 / 0.1-1 / 1-10 / 10-100

Visualisation by red state LED and green voltage presence LED.

See the operation diagram hereafter.

!! any modification of the choice of the form or of the multiplier of a timing in use will be validated only after a power supply break !!

PLAN



TECHNICAL FEATURES

Function	timer (F, O, CL, PF)
Presentation	under cover
Connection	pluggable on front or rear wiring socket
Number of mechanical operations	10.000.000
Operating temperature	- 20 to + 60°C
Storage temperature	- 25°C to + 70°C
Climatic protection	reinforced climatic protection
Weight	150 g.
Protection level	IP40
Operate time	reset time after timing : 10 ms
Release time	reset time after voltage break : 30 ms

COIL DATA

	Direct current	Alternative current
Min. nominal voltage DC	24 V	24 V
Min. nominal voltage AC	240 V	240 V - 50 or 60 Hz

CONTACTS

Number of contacts	2
Max. load current	10 A

 **İmaj Teknik Elektrik Elektronik San. ve Tic. Ltd. Şti.**
EMEKYEMEZ MAH.TUTSAK SOK. NO: 16/13-14-15
KARAKOY/İSTANBUL
TURKEY

Telefon : +90 212 235 9535 / 36 www.imajteknik.com
Fax : +90 212 235 9537 www.imajteknik.com.tr